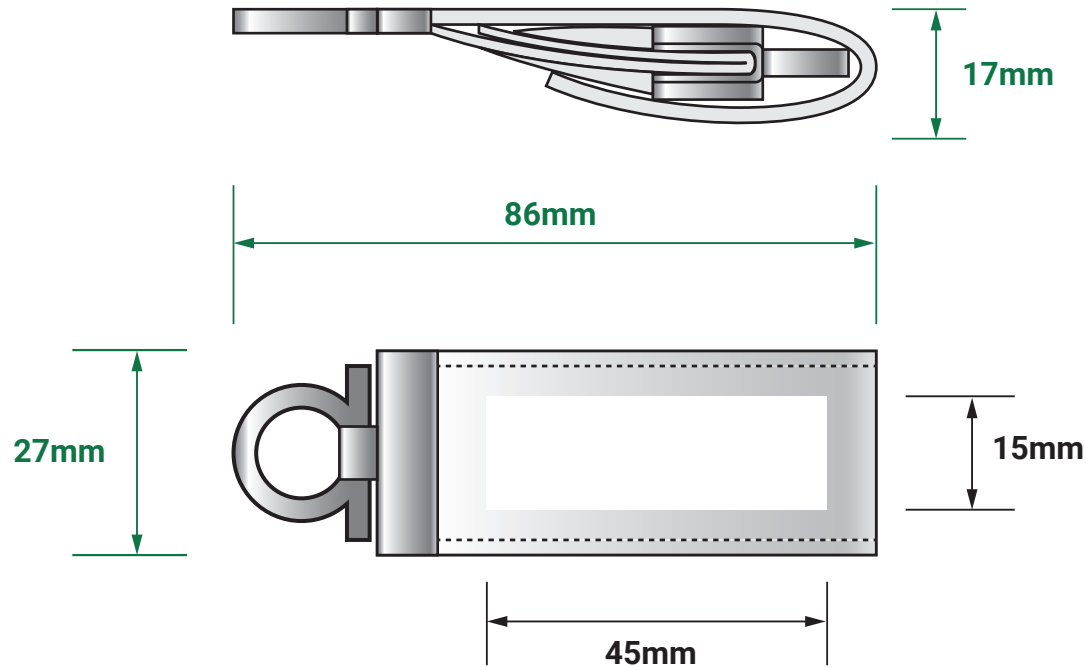


USB - LEATHER MAN TEMPLATE



PRINTABLE AREA

45mm x 15mm

USB DIMENSIONS

L: 86mm x W: 17mm x H: 27mm



THIS TEMPLATE IS 1:1 SCALE

EMAIL: SALES@IUSB.COM.AU

PH: 1300 985 133

IMPORTANT

- FINAL ART MUST BE SET UP AS **VECTORS**
- PLEASE OUTLINE ALL FONTS
- SAVE ART AS PRINT READY PDF